

## Industrial DIN Mountable Intensity Adjustment

See More by [Advanced Illumination](#)



#89-555

Stock **#89-555**  In Stock

1  €140<sup>00</sup>

**ADD TO CART**

Qty 1+

€140,00

Volume Pricing

[Request Quote](#)

**!** Prices shown are exclusive of VAT/local taxes

Product Downloads

## SPECIFICATIONS

### General

**Model Number:**  
DCS-MP

**Type of Illumination:**  
Accessory

**Note:**  
This product is a potentiometer and may not provide the appropriate level of intensity control for low current (<200 mA) LED lights. |Requires #20-175, #20-171 or #19-970 for Power

**Manufacturer:**  
Advanced Illumination

## Regulatory Compliance

**RoHS 2015:**  
Compliant

**Certificate of Conformance:**  
[View](#)

**Reach 233:**  
Compliant

## PRODUCT DETAILS

- Detented, 30 Position Potentiometer for Manual Intensity Adjustment
- Built In DIN-Rail Mounting Feature
- Flip Up Cover to Prevent Accidental Adjustments
- Requires [24V Power Supply \(#66-855\)](#) for Use

Note: Potentiometer may not provide appropriate level of intensity for low current lights.

- Accessories Compatible with [Advanced Illumination LED Lights](#)
- 24V 1.67A Output Current Regulated Universal Input Switching Power Supply
- Manual Intensity Adjustment Boxes for Simple or Precise Intensity Control
- [DCS-100E Single Output Controller](#) Available

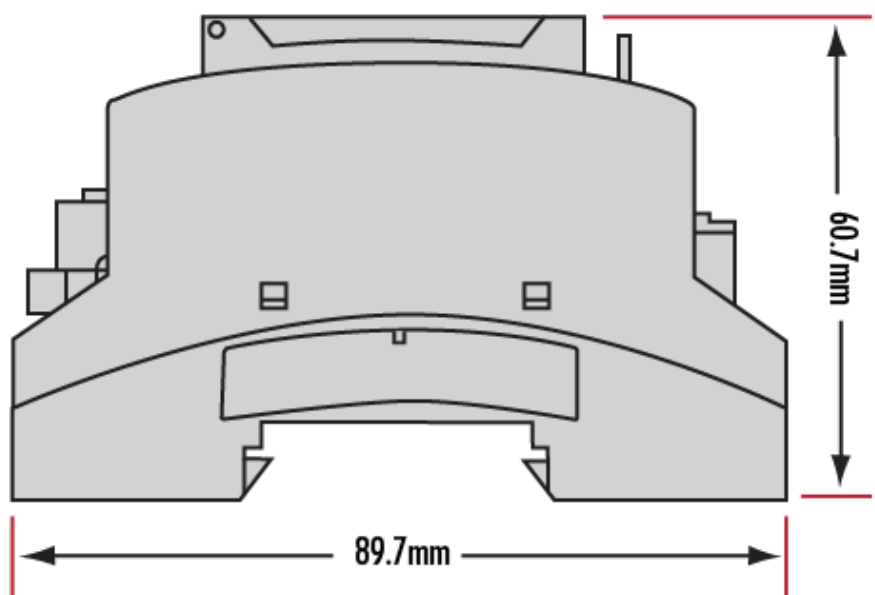
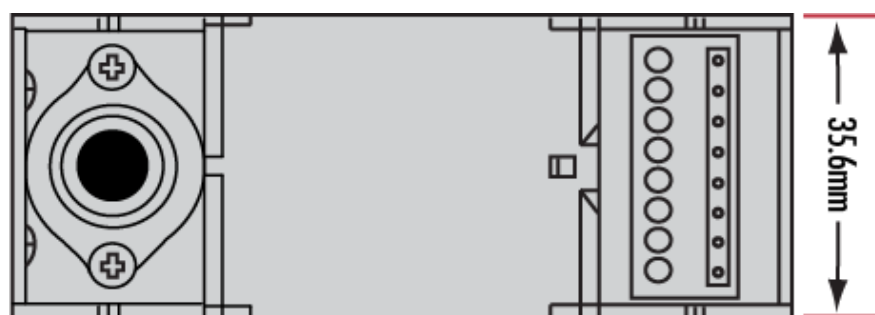
The 24V 1.67A DC output current regulated universal switching power supply ([#66-855](#)) is for use with Advanced Illumination (AI) LED Lights. The power supply runs on 110-220V AC and features power indicator and tinned leads marked positive and negative with wire nuts for easy connection. For all AI in-line current control lights, the brown wire is positive and the blue wire is negative.

The Industrial DIN Mountable Intensity Adjustment box (compatible with many Advanced Illumination products) features detented 30-position dial knob and exhibits good linearity as a finer and more precise intensity control option. The built-in DIN-Rail for easy industrial mounting and flip-up cover for preventing accidental change to the dial knob make it a suitable solution for industrial settings. It is connected between the AI LED Lights and the 24V Power Supply. It is compatible with AI LED Lights with both flying leads wiring and M12.

The DCS-100E Single Output Controller is designed to interface only with Advanced Illumination (AI) LED Lights utilizing the C1 Connector and requires a power supply for use ([#66-855](#)).

With the exception of [#11-024](#), the precision and linearity of intensity adjustment may be limited if the current draw of AI LED Lights is less than 170mA.

## TECHNICAL INFORMATION



#89-555