

**TECHSPEC® 9.0mm Diameter x 9.0mm FL, 785nm V-Coat, PCX Lens**



633nm Laser Line Coated Plano-Convex (PCX) Lenses



Stock #65-514 3-4 DAYS

[Other Coating Options](#)

⊖ 1 ⊕ €47<sup>00</sup>

**ADD TO CART**

Qty 1-9

€47,50

Qty 10+

€42,75

Volume Pricing

[Request Quote](#)

ⓘ Prices shown are exclusive of VAT/local taxes

Product Downloads



**SPECIFICATIONS**

## General

Type:  
Plano-Convex Lens

## Physical & Mechanical Properties

Diameter (mm):  
9.00 +0.0/-0.025

Centering (arcmin):  
<3

Center Thickness CT (mm):  
3.00 ±0.05

Edge Thickness ET (mm):  
1.38

Clear Aperture CA (mm):  
8.1

Bevel:  
Protective bevel as needed

## Optical Properties

Effective Focal Length EFL (mm):  
9.00 @ 587.6nm

Back Focal Length BFL (mm):  
7.32

Coating:  
Laser V-Coat (785nm)

Coating Specification:  
R<sub>abs</sub> <0.25% @ 785nm

Substrate:   
[N-SF11](#)

Surface Quality:  
40-20

Power (P-V) @ 632.8nm:  
1.5λ

Irregularity (P-V) @ 632.8nm:  
λ/4

Focal Length Tolerance (%):  
±1

Radius R<sub>1</sub> (mm):  
7.06

f/#:  
1.00

Numerical Aperture NA:  
0.50

Design Wavelength DWL (nm):  
785

Damage Threshold, By Design:   
5 J/cm<sup>2</sup> @ 785nm, 10ns

## Regulatory Compliance

RoHS 2015:  
[Compliant](#)

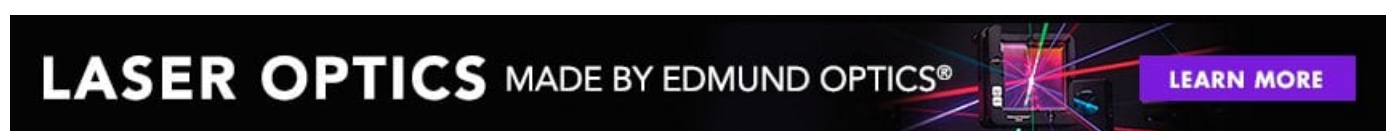
Certificate of Conformance:  
[View](#)

Reach 235:  
[Compliant](#)

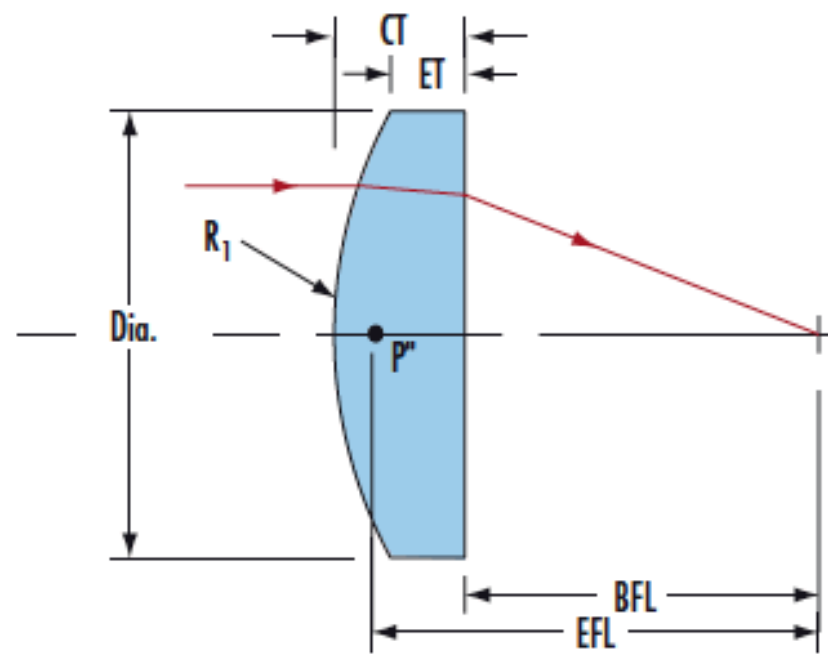
## PRODUCT DETAILS

- <0.25% Reflection at 785nm
- BBAR Coating Options Also Available: [uncoated](#), [MgF<sub>2</sub>](#), [VIS 0°](#), [VIS-NIR](#), [NIR I](#), [NIR II](#)
- [405nm](#), [532nm](#), [633nm](#), 785nm, [980nm](#), [1064nm](#), and [1550nm](#) V-Coated Options Offered

TECHSPEC® 785nm Laser Line Coated Plano-Convex (PCX) Lenses are designed for maximum throughput at the specified laser wavelength. These lenses are ideal for collecting and focusing light from laser sources and their corresponding harmonics. With a maximum reflection of <0.25% per surface at the design wavelength, the lenses will provide superior transmission in applications utilizing multiple optical components. TECHSPEC® 785nm Laser Line Coated Plano-Convex (PCX) Lenses are available Laser V-Coated in a range of other wavelengths: [405nm](#), [532nm](#), [633nm](#), [980nm](#), [1064nm](#), and [1550nm](#). Other coating options are available, including [uncoated](#), [MgF<sub>2</sub>](#), [VIS 0°](#), [VIS-NIR](#), [NIR I](#), and [NIR II](#).



## TECHNICAL INFORMATION



COMPATIBLE MOUNTS

---