

TECHSPEC® 12.5mm FL f/4, Blue Series IR-Cut M12 Lens



Stock #24-459 3-4 DAYS

1 €80⁰⁰

ADD TO CART

Qty 1+

€80,00

Volume Pricing

[Request Quote](#)

Prices shown are exclusive of VAT/local taxes

Product Downloads

SPECIFICATIONS

General

Type:
M12 Imaging Lens

IR Cut Filter:

Yes

Physical & Mechanical Properties

Iris Option:
Fixed

Length (mm):
22.90

Maximum Diameter (mm):
15

Outer Diameter (mm):
15.0

Weight (g):
6

Optical Properties

Horizontal Field of View, 1.2" Sensor:
78.0mm - 28.8°

Horizontal Field of View, 1/3" Sensor:
58.4mm - 21.8°

Maximum Image Circle (mm):
8.00

Numerical Aperture NA, Object Side:
0.0095

Horizontal Field of View @ Max Sensor Format:
28.9°

Number of Elements (Groups):
5(5)

Wavelength Range (nm):
400 - 700

Horizontal Field of View, 1/2.5" Sensor:
70.6mm - 26.2°

Focal Length FL (mm):
12.50

Primary Magnification PMAG:
0.082X

Working Distance (mm):
150 - ∞

Aperture (f/#):
f/4

Distortion (%):
-0.36 @ Full Field

Back Focal Length BFL (mm):
10.1 - 9.7

Coating Specification:
λ/4 MgF₂ @ 550nm

Entrance Pupil Position (mm):
10.87

Horizontal Field of View, 1/4" Sensor:
43.8mm - 16.4°

Object Space Principal Plane (mm):
10.14

Image Space Principal Plane (mm):
-3.01

Field of View at Max Sensor Format:
Horizontal: 78.1mm - 28.9°
Vertical: 58.5mm - 21.8°
Diagonal: 97.7mm - 35.7°

Exit Pupil Position (mm):
-2.33

Lens Wavelength Range:
VIS (IR-Cut Filter)

Sensor

Maximum Sensor Format:
1/2"

Threading & Mounting

Mount:
M12 x 0.5 (S-Mount)

Regulatory Compliance

RoHS 2015:
[Compliant](#)

Certificate of Conformance:
[View](#)

REACH 241:
[Compliant](#)

PRODUCT DETAILS

- Up to 1/2", S-Mount Lens
- Up to 5 MegaPixels, 1.4µm Pixel Size Sensors
- High Resolution Board Camera Lens Optimized for Close WD
- 2mm to 35mm Focal Length
- [Ruggedized Designs](#) Also Available

TECHSPEC® Blue Series M12 Lenses feature high resolution performance, along with the same great versatility of our [TECHSPEC® Green Series M12 Lenses](#). Each lens consists of several precision glass elements mounted in a compact, aluminum housing. These lenses can connect to C-Mount cameras using the M12 x 0.5 Adapter for C-Mount Cameras ([#53-675](#)) or the M12 x 0.5 C-Mount Adapter with Rubber O-Ring ([#59-241](#)) for vibration-sensitive environments. TECHSPEC® Blue Series M12 Lenses are ideal for automotive, industrial, and medical imaging application. Prescription data is available by submitting a [Request for Prescription Form](#).

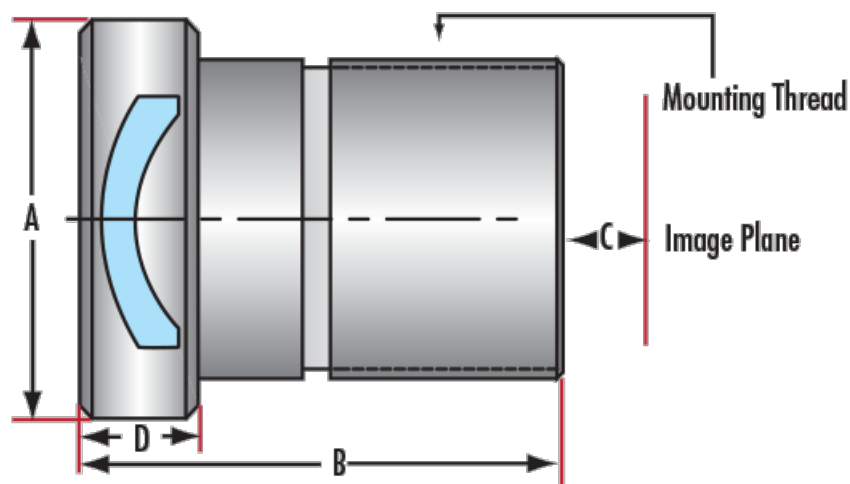
Note: Compatible [TECHSPEC® M12 Imaging Lens Accessories](#) available.

Edmund Optics has created multiple product families of our TECHSPEC® M12 S-Mount Lenses, which are designed to provide high resolution. These high performance lenses feature precision glass designs in a metal housing and have optimized specifications between each product family to meet your application needs.

- Blue Series M12 Lenses: High resolution finite conjugate designs optimized for machine vision working distances.
- [Rugged Blue Series M12 Lenses: Stabilized ruggedization](#) versions of our Blue Series M12 Lenses, utilizing the same optics.
- [Green Series M12 Lenses](#): Finite conjugate designs optimized for machine vision working distances.
- [Red Series M12 Lenses](#): Infinite conjugate designs optimized for high resolution performance out to infinity.
- [HEO Series M12 Lenses](#): Harsh Environment Optics (HEO) sealed versions of our Red Series M12 Lenses.
- [Liquid Lens M12 Lenses](#): Integrated liquid lens for fast electronic focus.

TECHNICAL INFORMATION

Focal Length	A	B	C*	D
2.0mm	18.0mm	21.7mm	2.26mm	4.75mm
3.0mm	14.0mm	17.1mm	4.8 - 4.7mm	5.8mm
4.0mm	14.0mm	19.7mm	6.1 - 6.0mm	4.4mm
5.0mm	14.0mm	14.6mm	4.0 - 3.9mm	3.7mm
6.0mm	14.0mm	14.1mm	6.9 - 6.8mm	4.5mm
8.0mm	14.0mm	12.3mm	8.8 - 8.6mm	3.7mm
10.0mm	14.0mm	17.0mm	6.6 - 6.3mm	3.7mm
12.5mm	15.0mm	22.9mm	10.1 - 9.7mm	4.8mm
17.5mm	14.0mm	20.7mm	5.8 - 4.9mm	7.6mm
25.0mm	18.0mm	30.0mm	8.5 - 6.5mm	11.5mm



*Specified for Optimized Working Distance of 150 - 250mm.