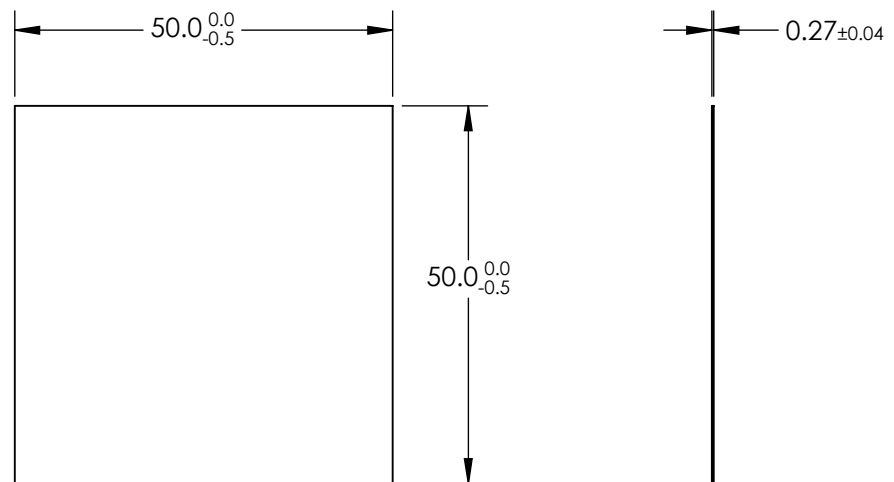
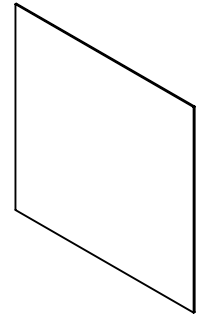


NOTES:

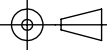
- 1. SUBSTRATE: Polymer Film CP42HE
- 2. WAVELENGTH RANGE: 400 - 700 nm
- 3. POLARIZATION EFFICIENCY (%): >99.90
- 4. TRANSMISSION (%):
SINGLE: 42.00
- 7. ROHS COMPLIANT



**FOR INFORMATION ONLY:
DO NOT MANUFACTURE
PARTS TO THIS DRAWING**

SPECIFICATIONS SUBJECT TO CHANGE WITHOUT NOTICE
DIMENSIONS ARE FOR REFERENCE ONLY

 Edmund Optics®

THIRD ANGLE PROJECTION 		TITLE	50 x 50mm Left-Handed Circular Polarizing Film (CP42HE)	
ALL DIMS IN	mm	DWG NO	29440	SHEET 3 OF 50