

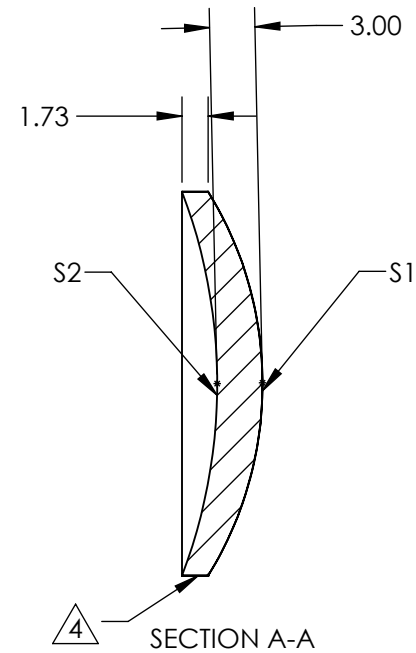
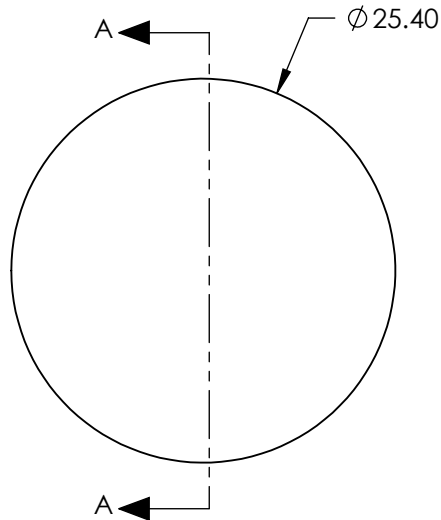
NOTES:

1. SUBSTRATE:
Silicon (Si)
2. CENTERING TOLERANCE:
EDGE THICKNESS VARIATION: <20µm
3. COATING (APPLY ACROSS CLEAR APERTURE)

S1&S2: NONE

4. FINE GRIND SURFACE

5. SURFACE ROUGHNESS: <100 Ra

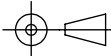


**FOR INFORMATION ONLY:
DO NOT MANUFACTURE
PARTS TO THIS DRAWING**

SPECIFICATIONS SUBJECT TO CHANGE WITHOUT NOTICE
DIMENSIONS ARE FOR REFERENCE ONLY

	S1	S2
SHAPE	CONVEX	CONCAVE
RADIUS	24.00	35.84
SURFACE QUALITY	60-40	60-40
CLEAR APERTURE	ø22.86	ø22.86
IRREGULARITY AT 632.8nm	λ/4	λ/4
BEVEL	PROTECTED AS NEEDED	PROTECTED AS NEEDED

THIRD ANGLE PROJECTION



ALL DIMS IN

mm

EO® Edmund Optics®

TITLE

25.4mm Dia. x 25.4mm FL, Uncoated, ISP
Optics Silicon (Si) Aspheric Lens

DWG NO

24882

SHEET
2 OF 19