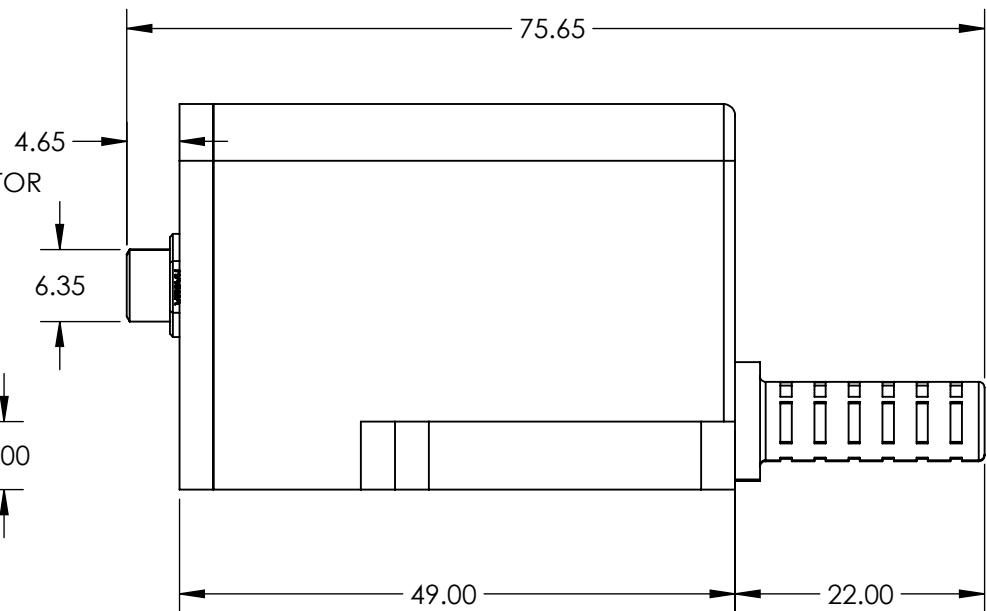
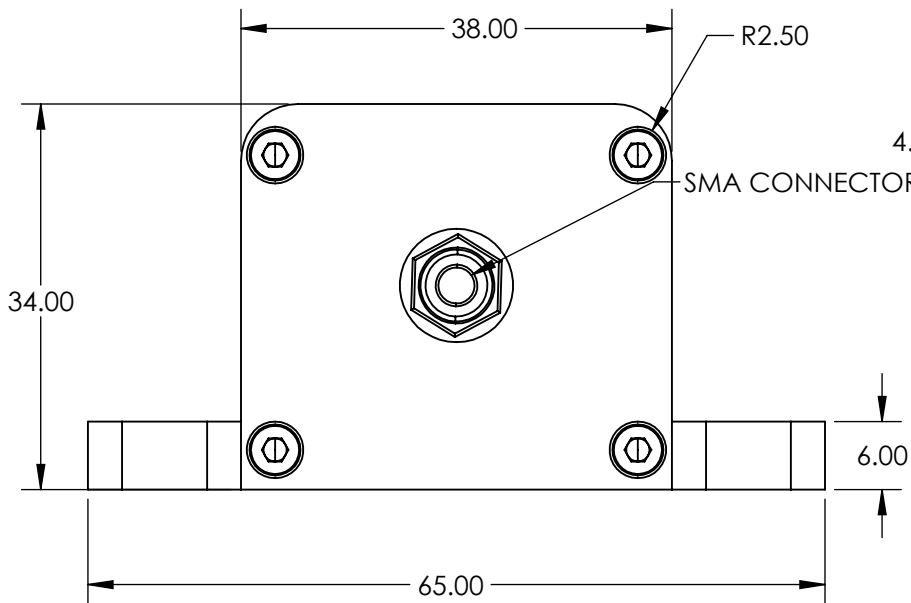
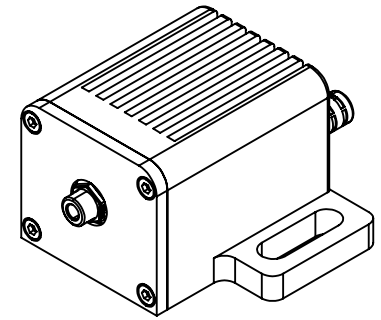


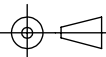
MOUNTING SLOTS COMPATIBLE WITH BREADBOARDS WITH 50mm OR 2in HOLE SPACING



**FOR INFORMATION ONLY:
DO NOT MANUFACTURE
PARTS TO THIS DRAWING**

SPECIFICATIONS SUBJECT TO CHANGE WITHOUT NOTICE
DIMENSIONS ARE FOR REFERENCE ONLY

EO® Edmund Optics®

THIRD ANGLE PROJECTION 		TITLE	470nm, 8mW, 1000mA, SMA Connector, Fiber-Coupled LED	
ALL DIMS IN	mm	DWG NO	23731	SHEET 5 OF 18