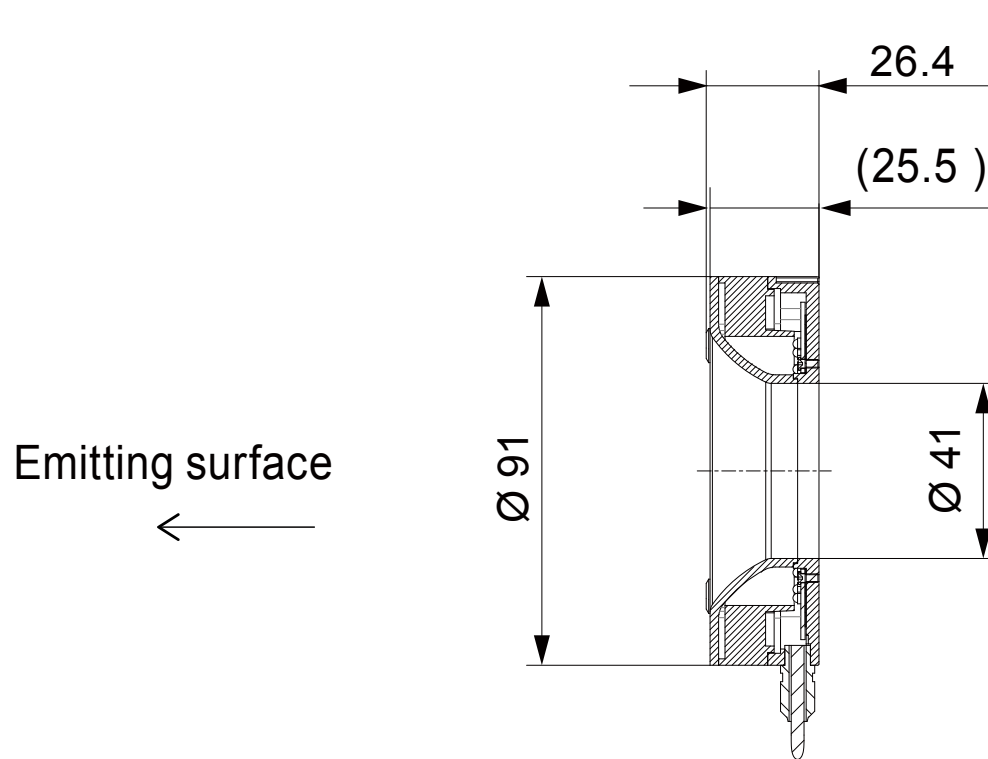


HPR2-75SW

Model name	HPR2-75SW
LED color	White
Input voltage	24VDC
Power consumption	16W
Weight	160g
Connector	SMR-03V-B
Polarity and signal	1: (+), 2: NC, 3: (-)

Unit : mm



4 x M4 x 5
(for installation)

