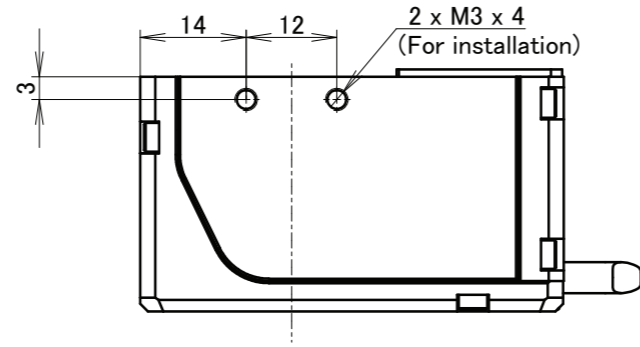


# LFV3-G-27RD



Model name	LFV3-G-27RD
LED color	Red
Input voltage	24 VDC
Power consumption(max.)	5.0 W
Weight(max.)	110 g
Connector	SMR-03V-B
Polarity and signal	1:(+), 2:NC, 3:(-)

Unit: mm

