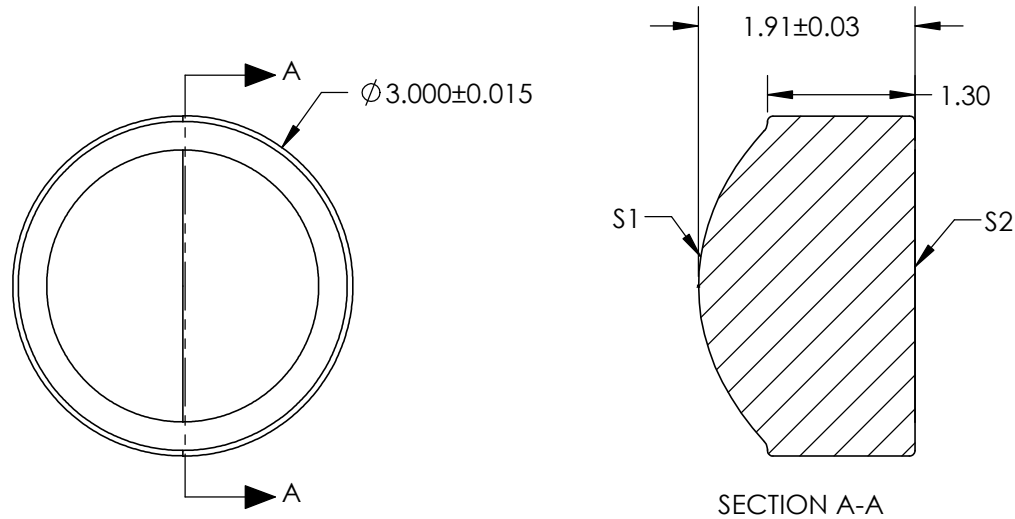


NOTES:

1. SUBSTRATE:
H-FK61
2. NUMERICAL APERTURE: 0.40
3. COATING
S1 & S2: R(AVG) $\leq 0.5\%$ @ 350 - 700nm
4. FOCAL LENGTH TOLERANCE: $\pm 1\%$



**FOR INFORMATION ONLY:
DO NOT MANUFACTURE
PARTS TO THIS DRAWING**

SPECIFICATIONS SUBJECT TO CHANGE WITHOUT NOTICE
DIMENSIONS ARE FOR REFERENCE ONLY

	S1	S2	EFL	3.50		Edmund Optics®	
			BFL	2.30			
SHAPE	CONVEX	PLANO	THIRD ANGLE PROJECTION		TITLE	Lightpath 353515 3.0mm Dia., 0.40 NA, BBAR (350-700nm), Molded Aspheric Lens	
SURFACE QUALITY	40-20	40-20	ALL DIMS IN	mm	DWG NO	16684	SHEET 1 OF 1
CLEAR APERTURE	$\phi 2.70$	$\phi 1.95$					
BEVEL	PROTECTED AS NEEDED	PROTECTED AS NEEDED					