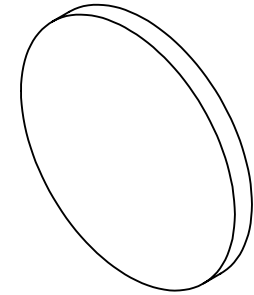


NOTES:

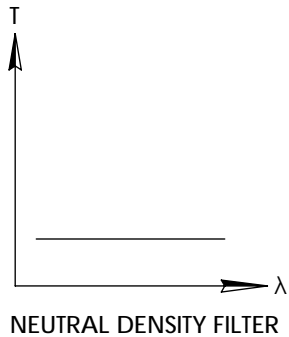
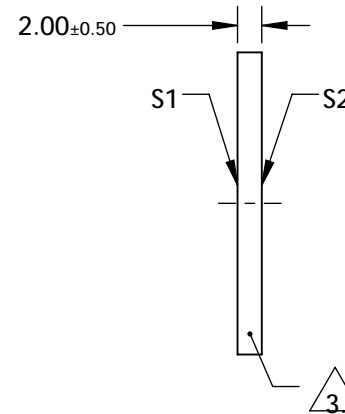
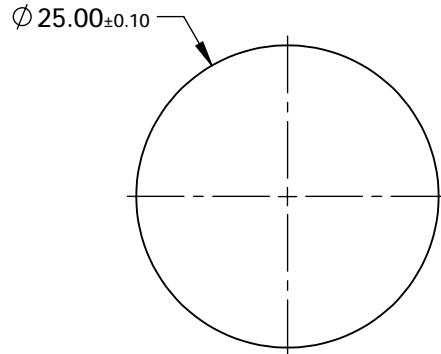
- SUBSTRATE:
HOYA GLASS: ND-0.3
- SURFACE S2 TO BE PARALLEL WITH SURFACE S1 TO WITHIN <0.02 mm

**FOR INFORMATION ONLY:
DO NOT MANUFACTURE
PARTS TO THIS DRAWING**



3. FINE GRIND SURFACE

- COATING SPECIFICATION:
S1 & S2:R(AVG) $\leq 0.4\%$ @ 425 - 675nm
- OPTICAL DENSITY: 2 +/-0.3 @ 400-700nm
- TRANSMISSION (%): 1.0% AVERAGE FROM 400-700nm
- ROHS COMPLIANT



SPECIFICATIONS SUBJECT TO CHANGE WITHOUT NOTICE
DIMENSIONS ARE FOR REFERENCE ONLY

EO® Edmund Optics®

	S1	S2	THIRD ANGLE PROJECTION		TITLE	2.0 OD, 25mm DIA., VIS 0° COATED, ABSORPTIVE ND FILTER	
SHAPE	PLANO	PLANO	ALL DIMS IN	mm	DWG NO	13107	SHEET 1 OF 1
SURFACE QUALITY	80-50	80-50					
BEVEL	PROTECTIVE AS NEEDED	PROTECTIVE AS NEEDED					