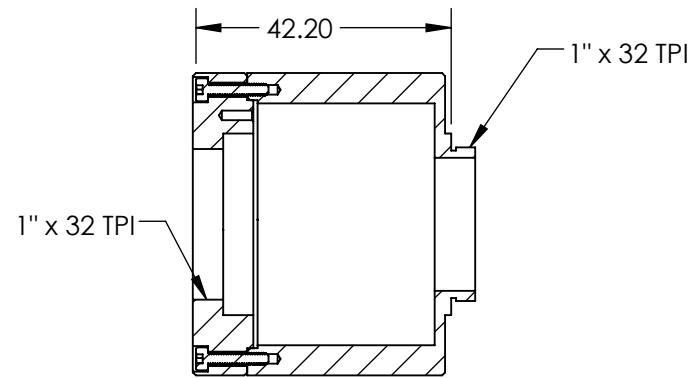
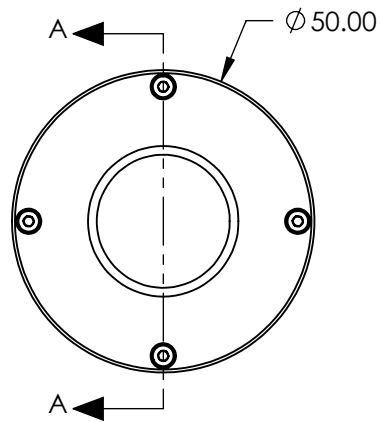


NOTES:

1. ROHS COMPLIANT



SECTION A-A

SPECIFICATIONS SUBJECT TO CHANGE WITHOUT NOTICE
 DIMENSIONS ARE FOR REFERENCE ONLY

INCLUDES:

- 1X 0.5mm BRASS SPACER RING (SN 03-631)
- 1X 1.0mm BRASS SPACER RING (SN 03-632)



**FOR INFORMATION ONLY:
 DO NOT MANUFACTURE
 PARTS TO THIS DRAWING**

THIRD ANGLE PROJECTION 	TITLE	Mitutoyo MT-1/MT-2 C-mount Adapter		
	ALL DIMS IN	mm	DWG NO	58329