

NOTES:

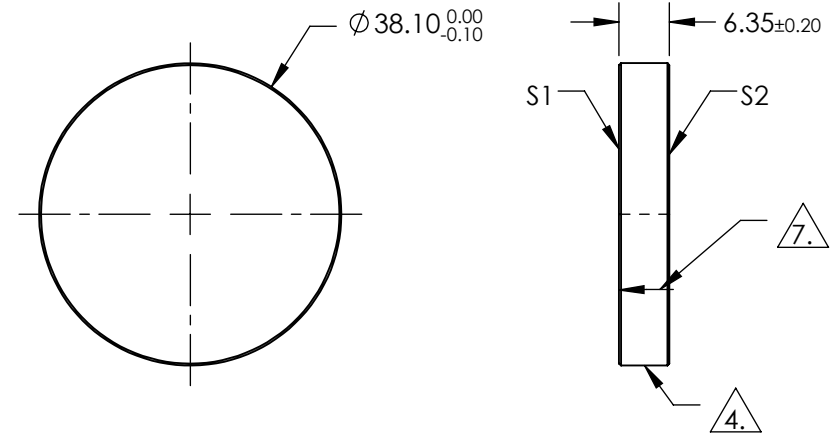
1. SUBSTRATE
FUSED SILICA
2. SURFACE S2 TO BE PARALLEL TO SURFACE S1 TO WITHIN <3 ARCMIN
3. COATING (APPLY ACROSS COATING APERTURE):

S1: 532 HR Coating
R (ABS) > 99.80% @ 532nm @ 0-45° AOI

DAMAGE THRESHOLD,
PULSED: 10 J/cm², 20ns, 20Hz @ 532nm
CW: 1MW/cm² @ 532nm

S2: NONE

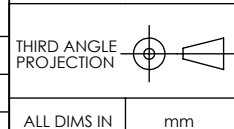
4. FINE GRIND SURFACE
5. POWER, IRREGULARITY, AND SURFACE QUALITY SPECIFICATIONS APPLY ACROSS CLEAR APERTURE
6. CLEAR APERTURE AND COATING APERTURE ARE CENTERED ON SURFACES
7. APPLY ARROW ON EDGE WITH LASER ETCH, PENCIL, OR PERMANENT INK POINTING TOWARDS SURFACE S1



**FOR INFORMATION ONLY:
DO NOT MANUFACTURE
PARTS TO THIS DRAWING**

SPECIFICATIONS SUBJECT TO CHANGE WITHOUT NOTICE
DIMENSIONS ARE FOR REFERENCE ONLY

	S1	S2
SHAPE	PLANO	PLANO
SURFACE QUALITY	10-5	COMMERCIAL POLISH
SURFACE FLATNESS	0.10 WAVE	N/A
MIN CLEAR APERTURE	Ø34.29	N/A
MIN COATING APERTURE	Ø34.29	N/A
BEVEL	PROTECTIVE AS NEEDED	PROTECTIVE AS NEEDED



EO® **Edmund Optics**®

TITLE	Ø38.1mm x 6.35mm, 532nm, NdYAG MIRROR 0-45° AOI		
DWG NO	38895	SHEET	1 OF 1