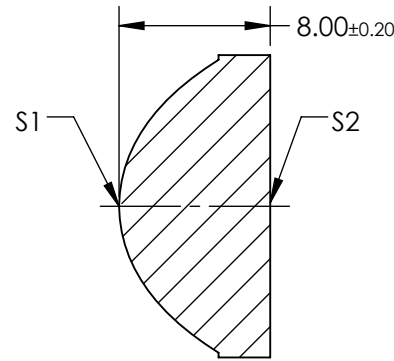
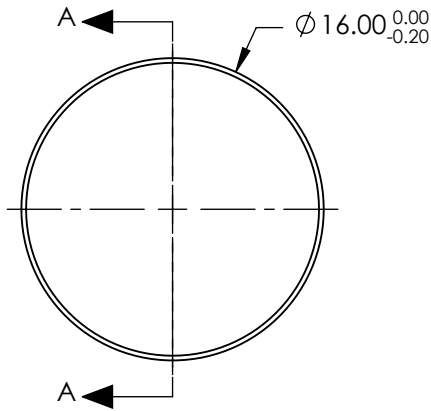


NOTES:

1. SUBSTRATE: N-F2
2. COATING:  
S1 & S2: ¼ WAVE MgF2 @ 550nm
3. FOCAL LENGTH TOLERANCE: ±5%
4. CENTERING: 25 ARCMIN
5. RoHS: COMPLIANT
6. ASPHERIC SURFACE DESCRIBED BY THE FOLLOWING EQUATION AND COEFFICIENTS SHOWN IN TABLE BELOW

$$Z_{ASPH}(Y) = \frac{(\frac{1}{RADIUS}) * Y^2}{1 + \sqrt{1 - (1+k) * (\frac{1}{RADIUS})^2 * Y^2}} + D * Y^2 + E * Y^4 + F * Y^6 + G * Y^8 + H * Y^{10} + J * Y^{12} + L * Y^{14}$$

**FOR INFORMATION ONLY:  
DO NOT MANUFACTURE  
PARTS TO THIS DRAWING**


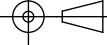


SECTION A-A

COEFFICIENT TABLE	
COEFFICIENT	S1
SEMI-DIAMETER	8.000000E+00
(1/RADIUS)	0.146941E+00
k	-1.000000E+00
D	0.000000E+00
E	1.764200E-04
F	1.327300E-06
G	-5.529600E-09
H	0.000000E+00
J	0.000000E+00
L	0.000000E+00

SPECIFICATIONS SUBJECT TO CHANGE WITHOUT NOTICE  
DIMENSIONS ARE FOR REFERENCE ONLY

	S1	S2
SHAPE	CONVEX	PLANO
SURFACE QUALITY	As Molded	As Molded
CLEAR APERTURE	Ø12.80	Ø12.80
BEVEL	PROTECTIVE AS NEEDED	PROTECTIVE AS NEEDED

EFL: 10.8mm		 <b>Edmund Optics®</b>	
BFL: 5.86mm			
THIRD ANGLE PROJECTION 		TITLE	16mm DIA. X 10.8mm FL, MgF2 MOLDED ASPHERIC CONDENSER LENS
ALL DIMS IN	mm	DWG NO	35047
			SHEET 1 OF 1