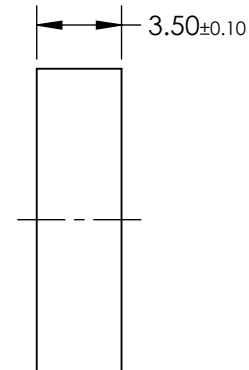
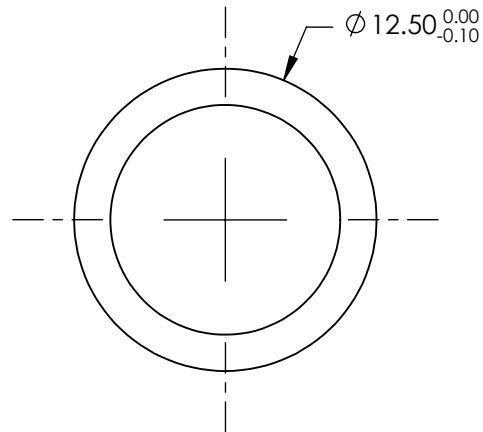
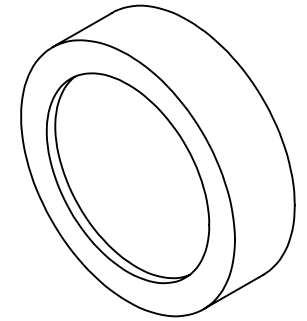


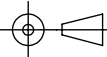
**FOR INFORMATION ONLY:
DO NOT MANUFACTURE
PARTS TO THIS DRAWING**



| | |
|-------------------------------------|---|
| CENTER WAVELENGTH CWL (nm) | 808 |
| BANDWIDTH (nm) | 3.1 |
| OPTICAL DENSITY OD | ≥ 6.0 |
| TRANSMISSION (%) | > 90 |
| SURFACE QUALITY | 60-40 |
| ANGLE OF INCIDENCE (°) | 0 ± 2 |
| DURABILITY (ENVIRONMENTAL) | MIL-STD-810F Paragraphs 501.4, 502.4, AND 507.4 |
| DURABILITY (PHYSICAL) | MIL-C-48497A Paragraphs 4.5.3.1, 4.5.3.2, 4.5.3.3, 4.5.4.2, AND 4.5.5.3 |
| OD 5 BLOCKING WAVELENGTH RANGE (nm) | 626-800 & 816-1270 |
| OD 6 BLOCKING WAVELENGTH RANGE (nm) | 743-796 & 820-889 |
| RoHS | COMPLIANT |

SPECIFICATIONS SUBJECT TO CHANGE WITHOUT NOTICE
DIMENSIONS ARE FOR REFERENCE ONLY

EO® **Edmund Optics**®

| | | | |
|--|-------|---|-----------------|
| THIRD ANGLE PROJECTION  | TITLE | 808nm High Performance Laser Line Filter 12.5mm Dia. | |
| ALL DIMS IN | mm | DWG NO | 64244 |
| | | | SHEET 1 OF 1 |