

NOTES:

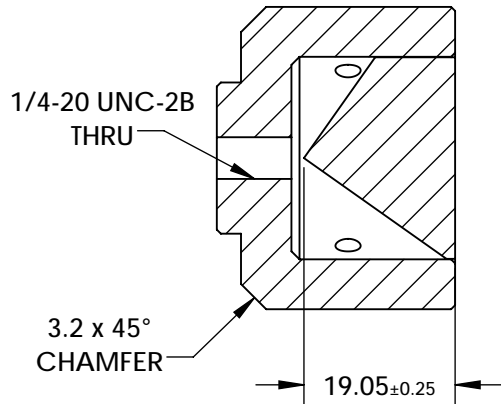
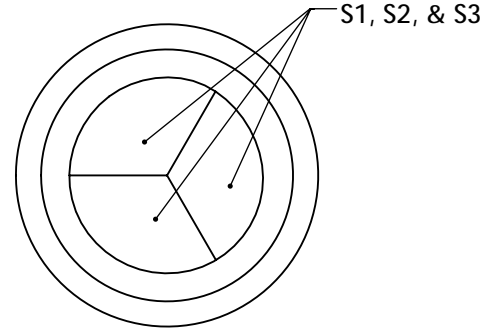
1. SUBSTRATE MATERIAL:
N-BK7

2. COATING:

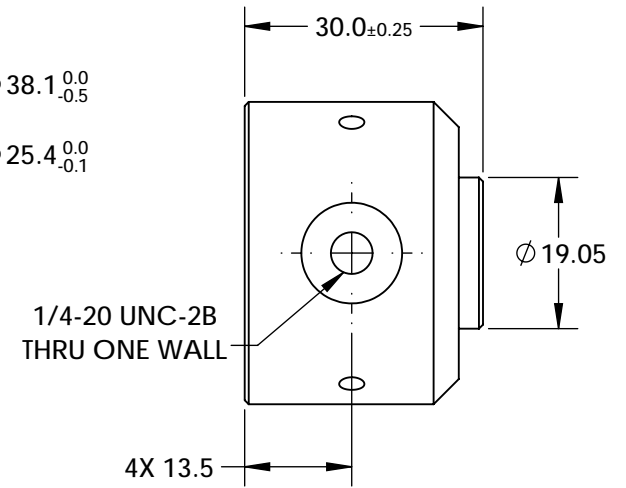
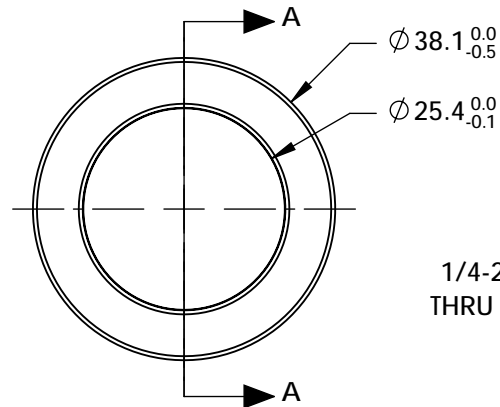
S1, S2, & S3: SILVER WITH PROTECTED OVERCOAT
R(ABS) > 97% FROM 400 - 2500nm @ 0° AOI
R(AVG) > 98% FROM 400 - 2500nm @ 0° AOI

3. RAY DEVIATION: 180°

4. RoHS COMPLIANT



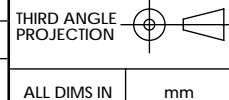
SECTION A-A



**FOR INFORMATION ONLY:
DO NOT MANUFACTURE
PARTS TO THIS DRAWING**

SPECIFICATIONS SUBJECT TO CHANGE WITHOUT NOTICE
DIMENSIONS ARE FOR REFERENCE ONLY

REV. A	S1	S2	S3
SHAPE	PLANO	PLANO	PLANO
SURFACE QUALITY	60-40	60-40	60-40
WAVELENGTH RANGE (nm)	500 - 10000	500 - 10000	500 - 10000
BEVEL	PROTECTED AS NEEDED	PROTECTED AS NEEDED	PROTECTED AS NEEDED



EO® Edmund Optics®

TITLE	25.4mm Mounted Corner Cube Retroreflector	
DWG NO	45188	SHEET 1 OF 1