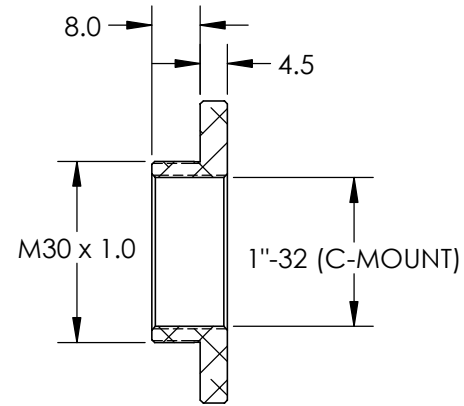
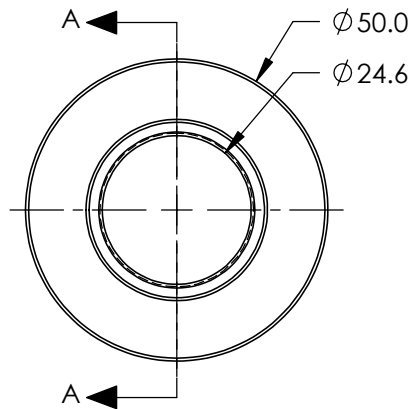
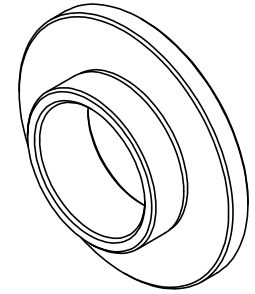


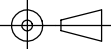
**FOR INFORMATION ONLY:
DO NOT MANUFACTURE
PARTS TO THIS DRAWING**



SECTION A-A

SPECIFICATIONS SUBJECT TO CHANGE WITHOUT NOTICE
DIMENSIONS ARE FOR REFERENCE ONLY

EO[®] **Edmund Optics**[®]

| | | | | | |
|----------|----------------|--|--------|--|--------------|
| | VALUE | THIRD ANGLE PROJECTION  | TITLE | MALE M30 x 1.0 TO FEMALE C-MOUNT ADAPTER | |
| MATERIAL | ALUMINUM | | | | |
| FINISH | BLACK ANODIZED | ALL DIMS IN mm | DWG NO | 36302 | SHEET 1 OF 1 |