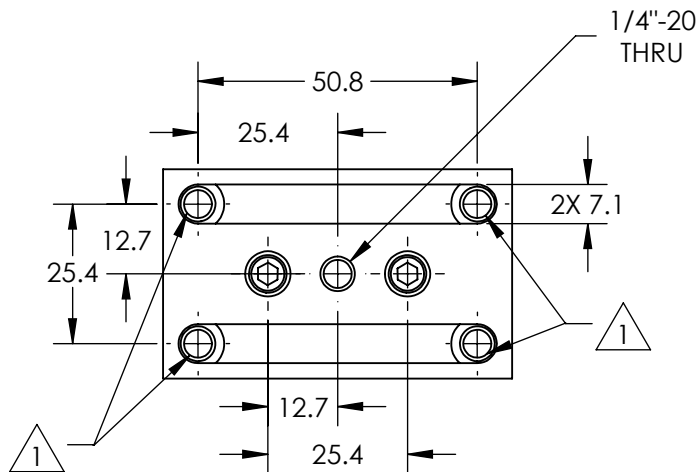
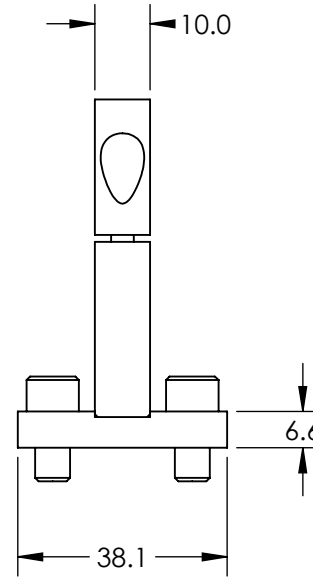
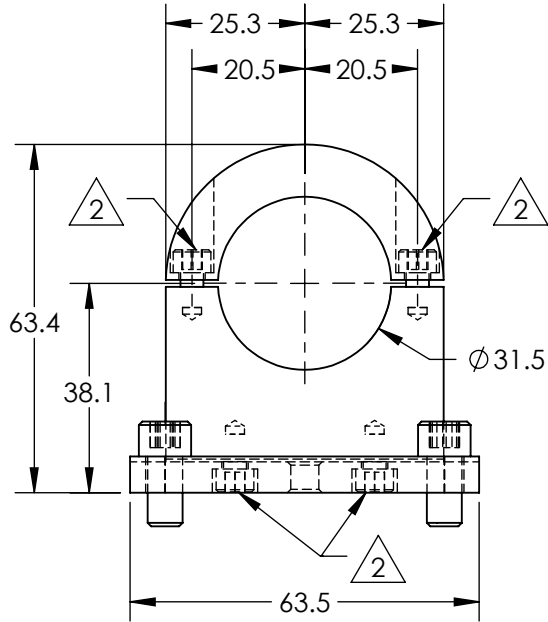
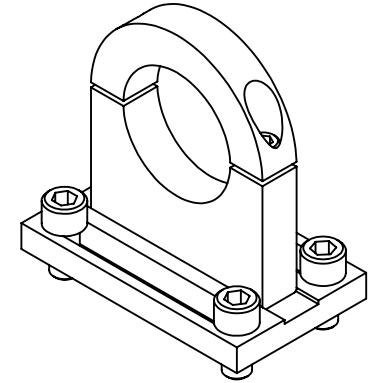


NOTES:

1. 4X 1/4"-20 x 1/2" SHCS INCLUDED

2. 4X 8-32 x 1/4" SHCS INCLUDED

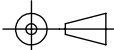
3. RoHS COMPLIANT



**FOR INFORMATION ONLY:
DO NOT MANUFACTURE
PARTS TO THIS DRAWING**

SPECIFICATIONS SUBJECT TO CHANGE WITHOUT NOTICE
DIMENSIONS ARE FOR REFERENCE ONLY

EO® Edmund Optics®

THIRD ANGLE PROJECTION 		TITLE	ENGLISH BEAM EXPANDER CLAMP	
ALL DIMS IN	mm	DWG NO	59475	SHEET 1 OF 1