

# TECHSPEC® Vega™ Nd:YAG Laser Line Beam Expanders

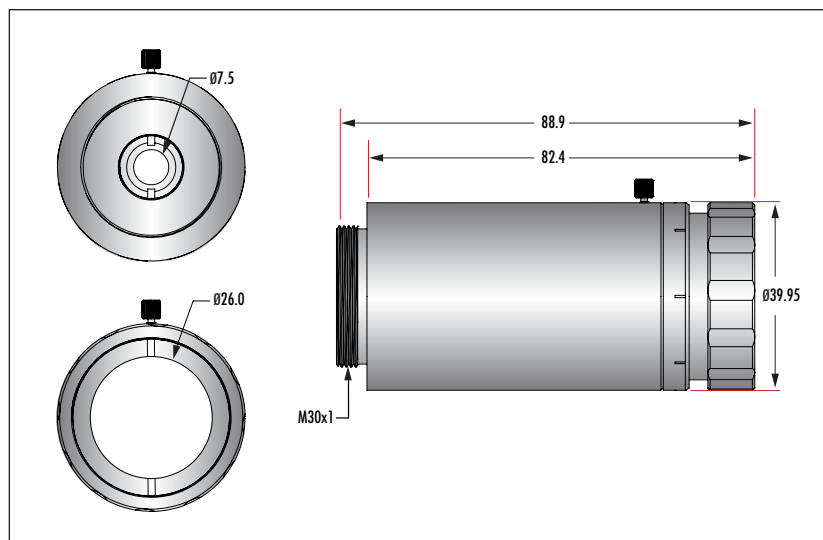
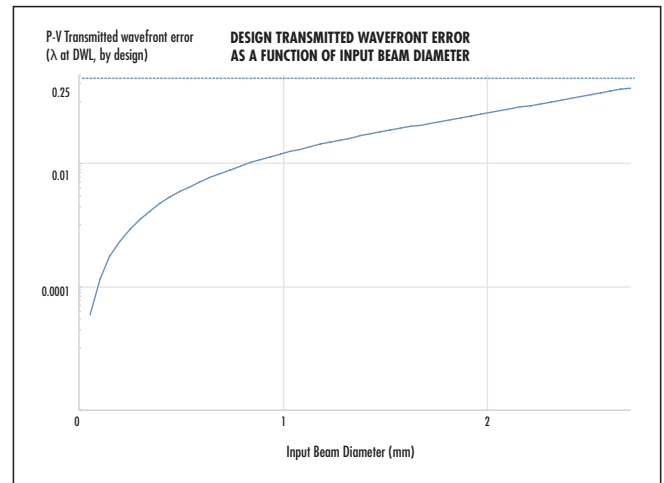
532nm • 10X #35-116

- $\lambda/10$  Transmitted Wavefront Error
- Fused Silica Substrate Offers Excellent Price and Performance
- Divergence Adjustment to Compensate for Input Beam Divergence
- TECHSPEC® Vega™ Broadband Beam Expanders Also Available

TECHSPEC® Vega™ Nd:YAG Laser Line Beam Expanders are designed for demanding laser applications including laser materials processing, medical, and research. These compact beam expanders are optimized at Nd:YAG wavelengths for high performance transmitted wavefront, with most designs achieving better than  $\lambda/10$  transmitted wavefront error. TECHSPEC® Vega™ Nd:YAG Laser Line Beam Expanders easily mount with M30 x 1 threading and provide excellent value both for single unit purchases as well as volume integration.

<b>Design Wavelength (DWL):</b>	532nm
<b>Magnification:</b>	10X
<b>Maximum Input Aperture (mm):</b>	7.5
<b>Divergence Adjustable:</b>	✓
<b>Maximum Output Aperture (mm):</b>	26mm
<b>Length (Without Threads):</b>	82.4mm
<b>Housing Outer Diameter (mm):</b>	39.95mm
<b>Weight:</b>	175g
<b>Damage Threshold:</b>	5 J/cm <sup>2</sup> at 532nm at 10ns at 20Hz
<b>Transmission @ DWL:</b>	>98.5 (nominal)
<b>Lens Material:</b>	UV Fused Silica
<b>*Mounting Thread:</b>	M30 x 1

\*Adapters available to C-Mount, SM01, M22 x 0.75, M24 x 0.5, M16 x 0.75



For more cost sensitive applications that don't require divergence adjustment, see our Scorpii™ Nd:YAG Beam expanders. For applications that require sliding optics or larger input apertures, please see our Draco-nis™ Nd:YAG Laser Line Beam Expanders.