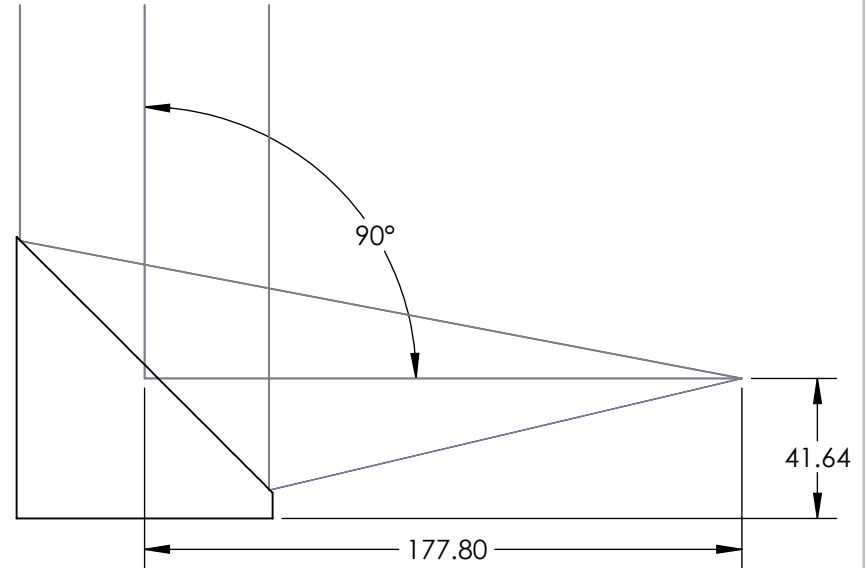
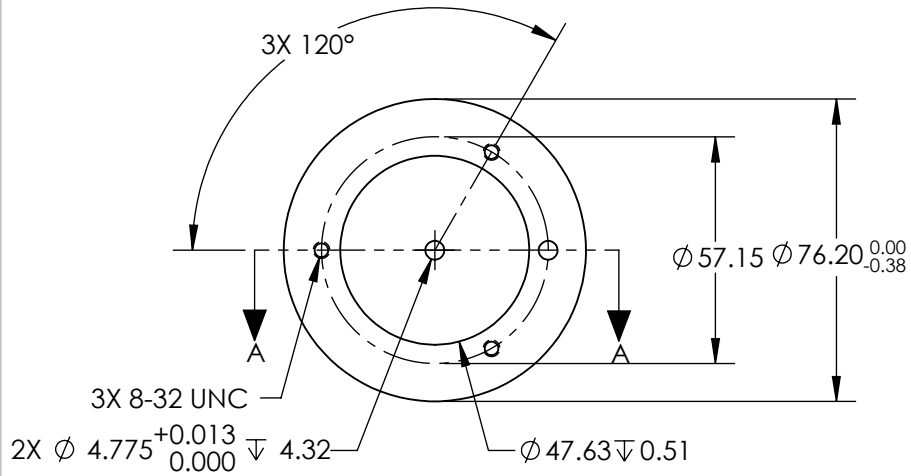
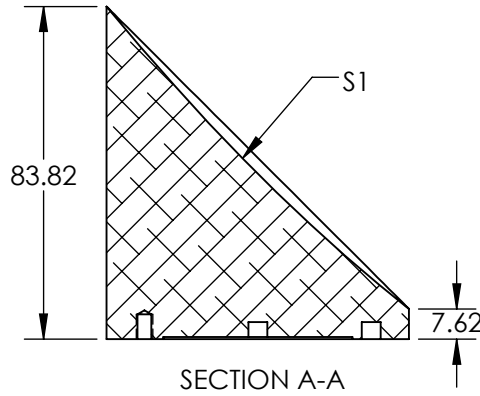



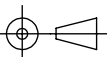
NOTES:

1. SUBSTRATE MATERIAL:  
ALUMINUM
2. FINISH (EXCEPT SURFACE S1):  
BLACK ANODIZED
3. COATING (APPLY ACROSS CLEAR APERTURE)  
S1: BARE GOLD  
R(AVG) >94% @ 0.7-0.8 $\mu$ m  
R(AVG) >97% @ 0.8-2.0 $\mu$ m  
R(AVG) >98% @ 2-12 $\mu$ m  
  
SURFACE ROUGHNESS: <100 Å RMS
4. FOCAL LENGTH TOLERANCE:  $\pm$ 1%
5. ROHS COMPLIANT

**FOR INFORMATION ONLY:  
DO NOT MANUFACTURE  
PARTS TO THIS DRAWING**



SPECIFICATIONS SUBJECT TO CHANGE WITHOUT NOTICE  
DIMENSIONS ARE FOR REFERENCE ONLY

REV. A	S1	EFL	177.80	 <b>Edmund Optics®</b>	
SHAPE	PARABOLIC	PFL	88.90		
REFLECTIVE WAVEFRONT DISTORTION AT 632.8nm (RMS)	3/2 $\lambda$	THIRD ANGLE PROJECTION		TITLE	Ø76.2 X 177.8mm EFL 90° OAP BARE GOLD MIRROR 100Å
SURFACE FIGURE AT 632.8nm (RMS)	3/4 $\lambda$	ALL DIMS IN	mm	DWG NO	
CLEAR APERTURE	90%				SHEET
BEVEL	PROTECTIVE AS NEEDED				1 OF 1