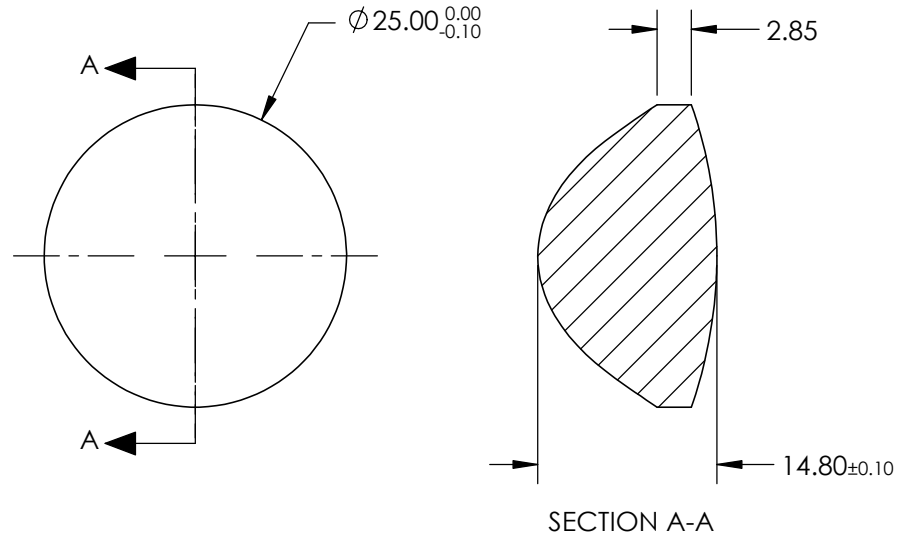


NOTES:

1. SUBSTRATE: FUSED SILICA
2. COATING (APPLY ACROSS CLEAR APERTURE)
S1: NONE
S2: NONE
3. EDGES: FINE GROUND
4. CENTERING: <3-5 ARCMIN
5. ASPHERE FIGURE ERROR: 0.75µm RMS

△ ASPHERIC SURFACE DESCRIBED BY (REF. COEFFICIENT TABLE)

$$Z_{ASPH}(Y) = \frac{(\frac{1}{RADIUS}) * Y^2}{1 + \sqrt{1 - (1+k) * (\frac{1}{RADIUS})^2 * Y^2}} + D * Y^2 + E * Y^4 + F * Y^6 + G * Y^8 + H * Y^{10} + J * Y^{12} + L * Y^{14}$$



COEFFICIENT TABLE △	
COEFFICIENT	S1
k	-1.530000E+00
D	0
E	1.350000E-04
F	-9.631000E-08
G	5.700000E-09
H	-6.712900E-11
J	1.760000E-13
L	0

**FOR INFORMATION ONLY:
DO NOT MANUFACTURE
PARTS TO THIS DRAWING**

SPECIFICATIONS SUBJECT TO CHANGE WITHOUT NOTICE DIMENSIONS ARE FOR REFERENCE ONLY

REV. A	S1	S2	EFL @ 587.6µm	17.5		Edmund Optics® 25mm DIA 0.69 NA UNCOATED, UV FUSED SILICA ASPHERIC LENS	
SHAPE	CONVEX	CONVEX	BFL @ 587.6µm	8.37			
RADIUS	8.920	38.177	THIRD ANGLE PROJECTION		TITLE		
SURFACE QUALITY	60-40	60-40	ALL DIMS IN	mm	DWG NO	33949	SHEET 1 OF 1
CLEAR APERTURE	90%	90%					
BEVEL MAX	PROTECTIVE AS NEEDED	PROTECTIVE AS NEEDED					