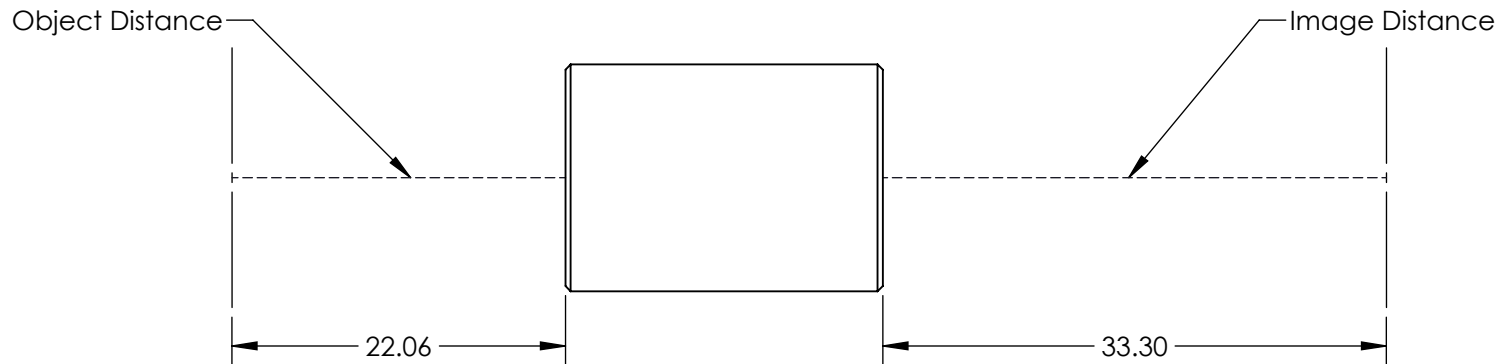
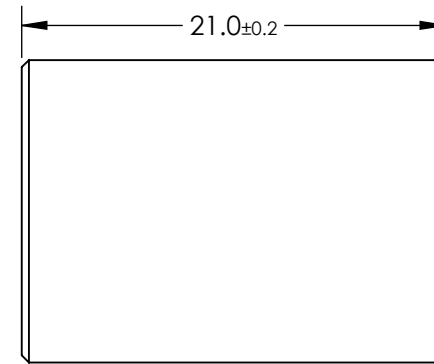
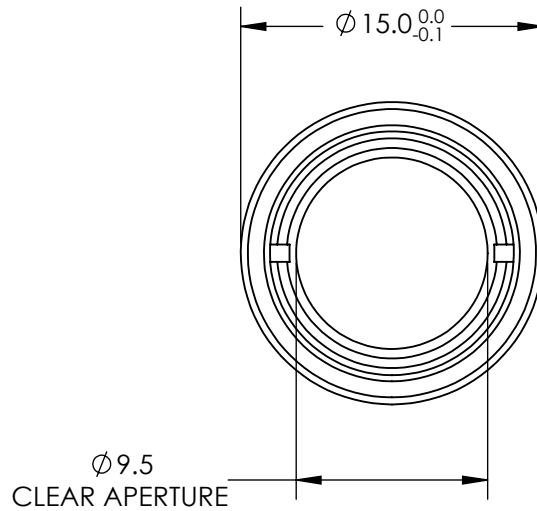
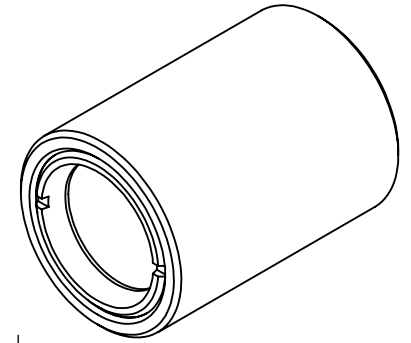


NOTES:

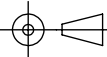
1. SUBSTRATE: N-SSK8 / N-SF10 / N-BK7 / N-SF5
2. COATING: MgF<sub>2</sub>  
R(avg) ≤ 1.75% @ 400 - 700nm
3. ROHS COMPLIANT



**FOR INFORMATION ONLY:  
DO NOT MANUFACTURE  
PARTS TO THIS DRAWING**

SPECIFICATIONS SUBJECT TO CHANGE WITHOUT NOTICE  
DIMENSIONS ARE FOR REFERENCE ONLY

**EO**® Edmund Optics®

THIRD ANGLE PROJECTION 		TITLE	1:1.33 WITH 30mm AND 40mm EFL ACHROMATS, 15mm ACHROMATIC PAIR	
ALL DIMS IN	mm	DWG NO	55274	SHEET 1 OF 1