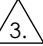
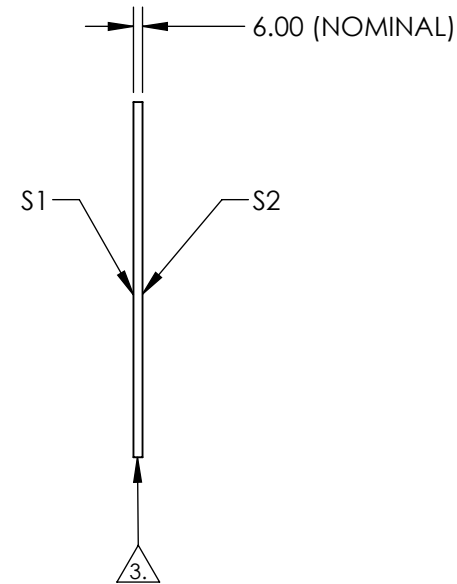
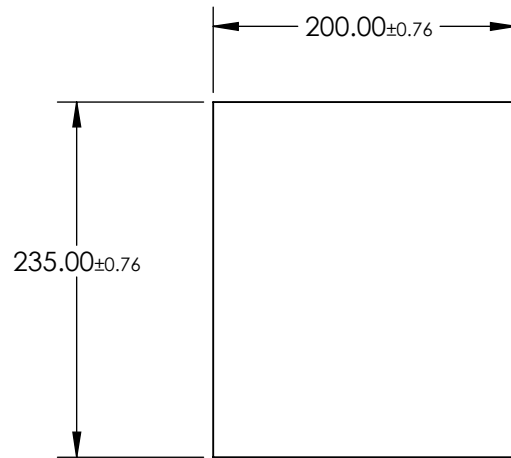


NOTES:

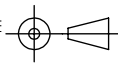
1. SUBSTRATE: Float Glass
2. COATING (APPLY ACROSS CLEAR APERTURE)  
 S1: Protected Aluminum (400-700nm)  
 R(AVG) >85% @ 400 - 700nm @ 45°  
  
 S2: NONE
3.  SEAMED EDGES
4. RoHS COMPLIANT




**FOR INFORMATION ONLY:  
DO NOT MANUFACTURE  
PARTS TO THIS DRAWING**

SPECIFICATIONS SUBJECT TO CHANGE WITHOUT NOTICE  
DIMENSIONS ARE FOR REFERENCE ONLY

	S1	S2
SHAPE	PLANO	PLANO
SURFACE QUALITY	80-50	N/A
SURFACE FLATNESS	4 - 6λ	N/A
CLEAR APERTURE	∅ 180 x 211.5	N/A
BEVEL	PROTECTED AS NEEDED	PROTECTED AS NEEDED

THIRD ANGLE PROJECTION 

ALL DIMS IN mm

 **Edmund Optics®**

TITLE: 200 x 235mm, 4-6λ Mirror

DWG NO: 32358

SHEET 1 OF 1