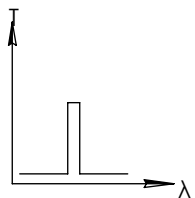
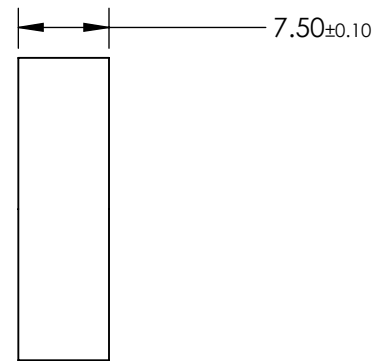
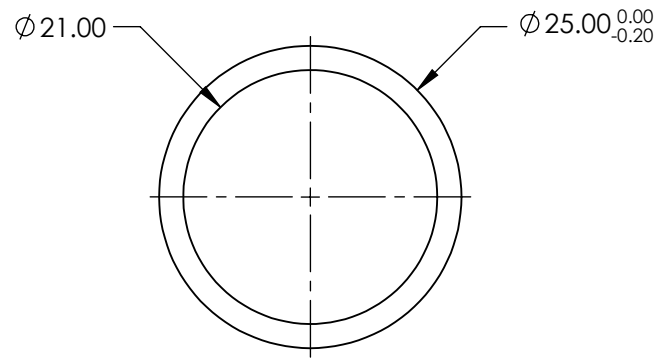
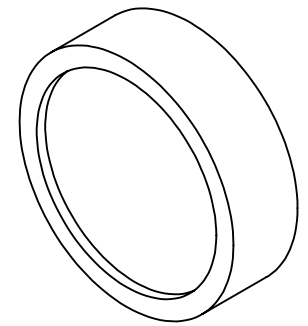


**FOR INFORMATION ONLY:  
DO NOT MANUFACTURE  
PARTS TO THIS DRAWING**



BANDPASS FILTER

SPECIFICATIONS SUBJECT TO CHANGE WITHOUT NOTICE  
DIMENSIONS ARE FOR REFERENCE ONLY

	VALUE
OPTICAL DENSITY	≥4.0
CENTER WAVELENGTH (CWL)	1450 ±2.5 nm
FULL WIDTH HALF MAX (FWHM)	12 ±2.5 nm
MINIMUM TRANSMISSION	>70 %
BLOCKING	200 - 1800nm
SURFACE QUALITY	80-50
CONSTRUCTION	MOUNTED IN BLACK ANODIZED RING
COATING TYPE	TRADITIONAL COATED

**EO**® Edmund Optics®

THIRD ANGLE PROJECTION

TITLE

Ø25mm, 1450nm x 10nm, MOUNTED  
BANDPASS FILTER

ALL DIMS IN

mm

DWG NO

65791

SHEET  
1 OF 1