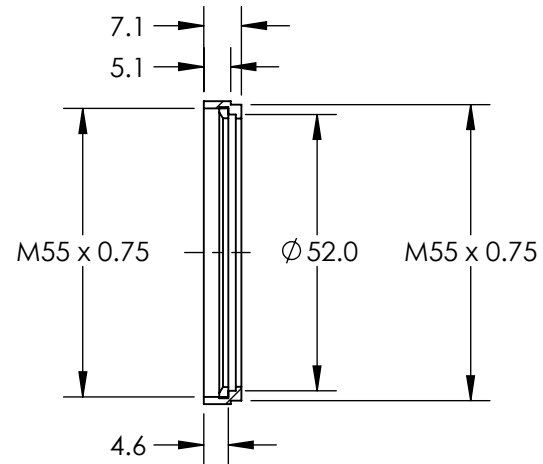
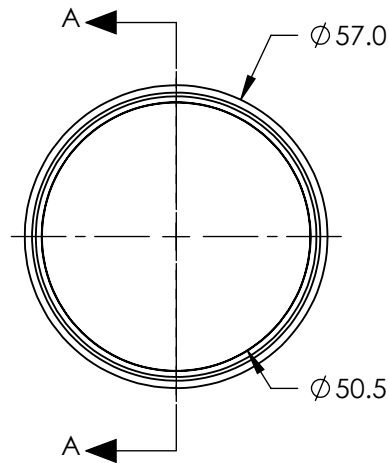


**FOR INFORMATION ONLY:
DO NOT MANUFACTURE
PARTS TO THIS DRAWING**



SECTION A-A

SPECIFICATIONS SUBJECT TO CHANGE WITHOUT NOTICE
DIMENSIONS ARE NOMINAL AND FOR REFERENCE ONLY



		THIRD ANGLE PROJECTION 		TITLE	EMPTY FILTER MOUNT - M55 X 0.75	
RoHS	VALUE COMPLIANT	ALL DIMS IN	mm	DWG NO	67691	SHEET 1 OF 1