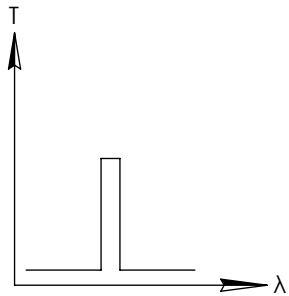
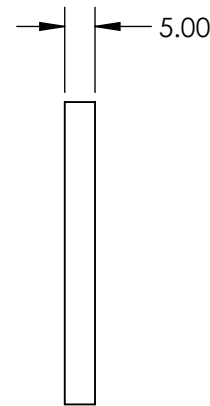
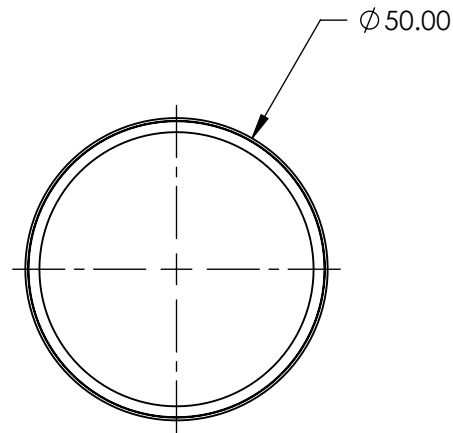
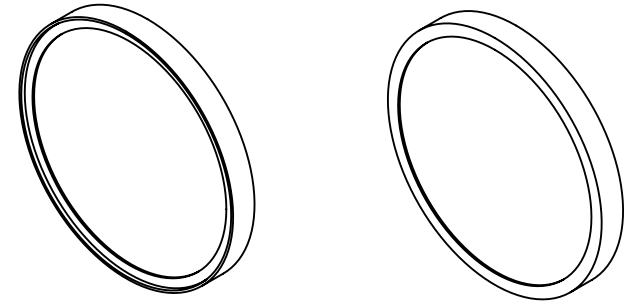


**FOR INFORMATION ONLY:
DO NOT MANUFACTURE
PARTS TO THIS DRAWING**



BANDPASS FILTER

| REV. A | VALUE |
|----------------------------|--------------|
| CENTER WAVELENGTH (CWL) | 775 ± 3 nm |
| FULL WIDTH HALF MAX (FWHM) | 25 ± 3 nm |
| MINIMUM TRANSMISSION | >90 |
| BLOCKING | 200 - 1200nm |
| SURFACE QUALITY | 80-50 |
| COATING TYPE | HARD COATED |
| DURABILITY | MIL-C-48497A |
| ENVIRONMENTAL | MIL-STD-810F |

SPECIFICATIONS SUBJECT TO CHANGE WITHOUT NOTICE
DIMENSIONS ARE FOR REFERENCE ONLY

EO® Edmund Optics®



ALL DIMS IN

mm

TITLE

OD4, Ø50mm, 775nm x 25nm, HD BANDPASS
FILTER

DWG NO

87806

SHEET
1 OF 1